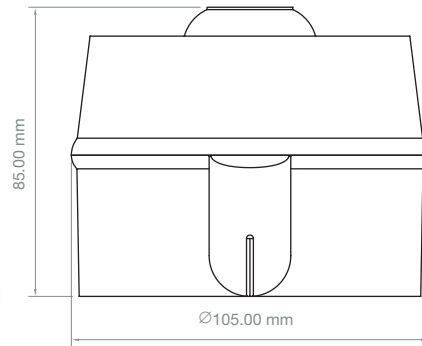


Product Data Sheet: **Viper** Spatial 4-Tone Sounder



Description

The Viper spatial sounder is available in two popular formats.

The VPR-SA2 sounder is designed for applications where low current consumption relative to sound output is required, with a 103 dBA output requiring only 11mA at 24 vdc.

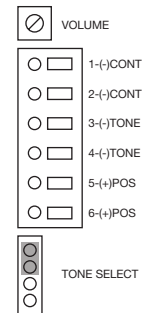
The Viper SA4 sounder is designed for applications requiring maximum sound output, and probably offers the best sound output to cost ratio of any sounder currently on the market.

With an operating frequency of 800 to 1000Hz, each sounder provides sound within the frequency range specified by BS5839. Each sounder also has a wide operating voltage of 8-35v dc.

Tones are available by selecting either warble, sweep or pips via the jumper fitted to the PCB. By using three wires, a second stage alarm may be switched so that the continuous tone will override the tone selected.

Each sounder is supplied complete with its own mounting base which comes with marker points for drilling M20 gland entries. Colour, finish and tones match those of the Vantage, Vara and Vector sounders.

Connection



For sweep, warble or pips, wire negative to terminals 3 and/or 4(-)TONE. For continuous tone wire negative to 1 and/or 2(-)CONT. Note that the (-)CONT tone will override the (-)TONE



Part No.	VPR-SA2	VPR-SA4
Output @ 1 metre 24v dc:	103 dBA	107 dBA
Current @ 24v dc:	c. 11 mA	c. 40 mA
Voltage Range:	8-35v dc	8-35v dc
Operating Frequency:	800-1000Hz	800-1000Hz
Number of Tones:	4	4
Volume Control:	-30 dBA	-30 dBA
IP Rating:	IP65	IP65
Temperature Range:	-20 to +70 °C	-20 to +70 °C
Weight (per unit packed):	200g	200g
(Sounders are available in red or white by adding -R (red) or -W (white) to the end of the part number)		